

15L45P

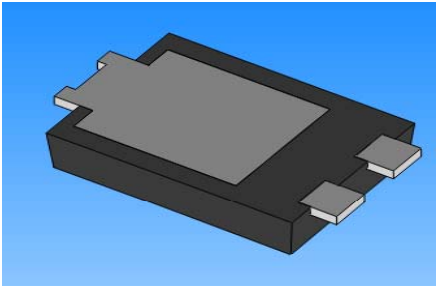


SCHOTTKY BARRIER RECTIFIER
VOLTAGE RANGE 45Volts CURRENT 15.0 Ampere

FEATURES

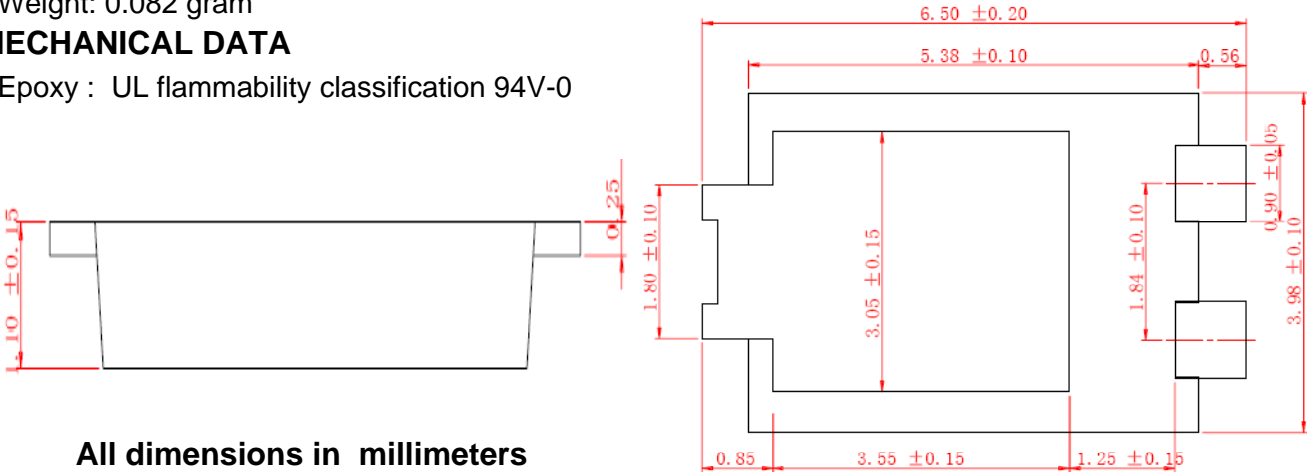
- * Low switching noise
- * Low forward voltage drop
- * High surge capability
- * High current capability
- * Mounting position: Any
- * Weight: 0.082 gram

TO-277



MECHANICAL DATA

* Epoxy : UL flammability classification 94V-0



All dimensions in millimeters

MAXIMUM RATINGS (@ TA=25 °C unless otherwise noted)

RATINGS	SYMB OL	15L45P	UNITS
Maximum Recurrent Peak Reverse Voltage	V _{RRM}	45	Volts
Maximum RMS Voltage	V _{RMS}	31.5	Volts
Maximum DC Blocking Voltage	V _{DC}	45	Volts
Maximum Average Forward Rectified Current at Ambient Temperature	I _o	15	Amps
Peak Forward Surge Current 8.3 ms single half sine-wave superimposed on rated load (JEDEC method)	I _{FSM}	280	Amps
Operating Temperature Range	T _J	150	°C
Storage Temperature Range	T _{STG}	-55 to + 150	°C

ELECTRICAL CHARACTERISTICS(@TA=25 °C unless otherwise noted)

		VF	TYP.	MAX.	
Forward Voltage Drop (note1)		VF			Volts
I _F =15A , T _A = 25°C			0.47	0.51	
I _F =15A , T _A = 125°C			0.45	-	
Maximum Reverse Current at Rated DC Blocking Voltage	@T _A = 25°C	IR	300		uA
	@T _A = 100°C		30		mA

Notes:(1) Pulse test :300 us pulse width,1% duty cycle

